



EFFE 3TI
PACKAGING TECHNOLOGIES

PROTECTING YOUR PRODUCTS ... AN EASY GAME

SEMI-AUTOMATIC WRAPPING MACHINE

SPINNY S140



PACKAGING
TECHNOLOGIES
MADE IN ITALY

EFFE 3 TI PRESENTS THE SEMI-AUTOMATIC WRAPPING MACHINE

SPINNY S140

THE USER FRIENDLY, AFFORDABLE, RELIABLE AND FULLY CUSTOMIZABLE MACHINE THAT WILL LET YOU REACH HIGH STANDARDS IN PACKAGING.

MAIN FEATURES

Spinny S140 is available in version **PLUS**, with mechanical brake, and **ADVANCED**, with electromagnetic brake

- Rotating table Ø 1500 mm - load 1200 kg
- Distance column-rotating table 500 mm
- Wrapping height up to 2100 mm with photocell
- Programmable top and bottom reinforcement turns
- Rotating table movement regulated by variable frequency drive from 5 to 12 rpm
- Rotating table stop in position controlled by sensor
- Variable speed of film carriage completely customizable
- Independent top and bottom turns
- Film carriage fall protection system
- Electronic control panel with simple wrapping cycle, double wrapping cycle with top sheet, manual wrapping cycle
- Manual film carriage stop for reinforcement wrapping turns.



*Spinny S140 is extremely customizable and available with many optionals to fit all the customer's needs. Versions **FLOWER & PLANTS**, **TP** (transpallet), **PRESS** (with top press), **DUO** (double rotating table), **STAINLESS STEEL**, **SMART TOUCH** (with 4 programmable wrapping cycles), **DOORS & WINDOWS** packaging are **only few** of the customizations available for SPINNY S140*

PLUS VERSION

All SPINNY S140 PLUS models, are equipped with MECHANICAL BRAKE system.
Film coil Ø up to 250 mm.

ADVANCED VERSION

All SPINNY S140 ADVANCED models are equipped with ELECTROMAGNETIC BRAKE
Film coil Ø up to 250 mm.

To ensure the maximum safety level of our SPINNY series machines, we've placed the film holder and the control panel on opposite sides of the column. This to avoid the user to be near a moving part of the machine.



NEED A SPECIAL SPINNY S140 VERSION?

HERE ARE SOME EXAMPLE ... CALL US FOR MORE!

OPTIONALS:

- Smart Touch control panel with 4 customizable working programs
- Rotating table capacity up to 2000 kg and Ø 2480 mm
- Pallet height up to 3100 mm

STAINLESS STEEL

Available with the standard or the horse-shoe turntable, the STAINLESS STEEL version gives you the opportunity of having all the advantages of SPINNY S140 even when working in wet or aggressive

PRESS SYSTEM

Available with the standard or the horse-shoe turntable, the PRESS version is the perfect solution for wrapping unstable or special loads (i.e. doors and windows).



TP PRESS

TP

REVERSE

WEIGHING SYSTEM

SPINNY S140 TECHNICAL DATA

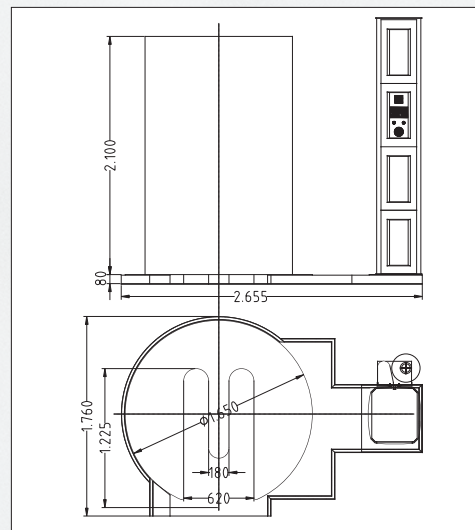
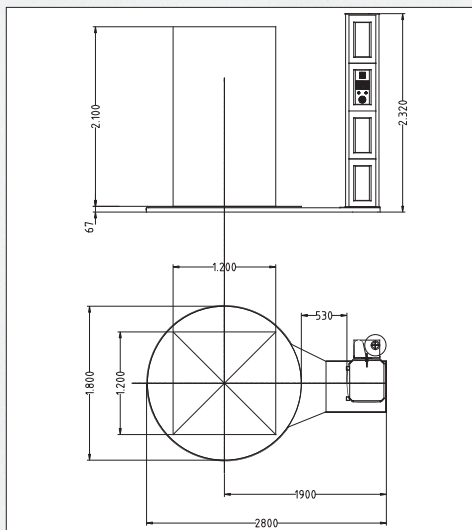
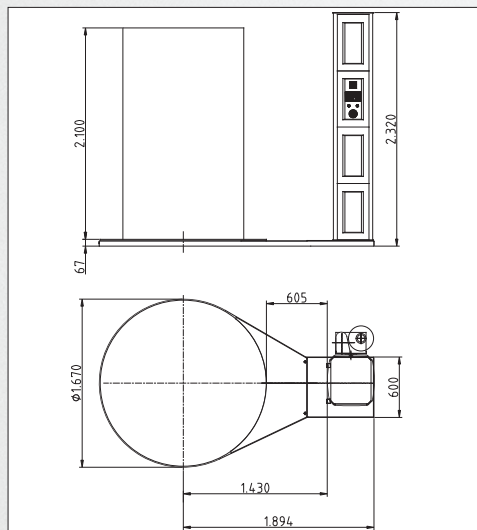
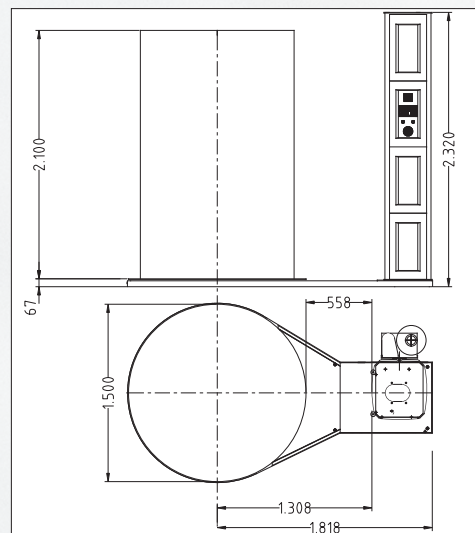
- The standard machine with turntable diameter 1500 mm, is designed to wrap palletized loads with stretch plastic film having the dimension up to 1200 mm (L) X 800 mm (W), with a load capacity of 1200 kg.
- The turntable is also available with a diameter of 1500 mm, 1650 mm, 1800 mm and 2480 mm with a load capacity of 2000 kg.
- The column can be furnished to wrap pallets with heights of 2100 mm and 3100 mm.
- Table rotation speed and film carrier speed are regulated by inverter (turntable can rotate at a speed from 5 to 12 RPM).

POWER SUPPLY

- Tension: 230 V single phase or, on demand, 400-415 V triple phase $\pm 10\%$
- Frequency: 50 Hz
- Installed power: 0.7 kW
- Auxiliary energy supply: 24 V DC

FILM (LLDPE) AND COIL CHARACTERISTICS

- Thickness: $15 \div 40 \mu\text{m}$
- Advised thickness: $20 \mu\text{m}$
- Internal coil diameter: 76 mm
- Height: 500 mm
- Maximum film roll weight: 16 kg
- Maximum external coil diameter: 250 mm



www.effe3ti.com

www.youtube.com/effe3ti

www.facebook.com/effe3ti

